

# WPFCSR

## Full Cutoff Wall Pack Sensor Ready

<b>Project:</b>	
<b>Type:</b>	
<b>Catalog #:</b>	

### STANDARDS



### HOUSING

- Premium powder-coat, die cast aluminum, Bronze housing.

### ELECTRICAL

- Operating temperature (ambient): -40°C to 50°C (-40°F to 122°F) .
- Universal 120-277 AC voltage (50-60Hz) is standard.
- 0-10V DC dimming drivers are standard.
- Integrated photocell is standard. Photocell can be enabled or disabled by switch.
- Input transient surge protection = 6kV.
- PF > 0.9; THD < 20%.

### OPTICAL SYSTEM

- Polycarbonate lens.
- Field selectable 3000K (warm white), 4000K (neutral white) and 5000K (cool white) color temperatures.\*
- WPFCSR-9865L-3CCT provides a range of 4,815 to 9,010 nominal lumens.\*
- WPFCSR-17151310L-3CCT provides a range of 9,337 to 17,186 nominal lumens.\*
- Long-life LEDs provide 167,000 hours of operation with at least 70% of initial lumen output (L70), and 51,000 hours with at least 90% of initial lumen output (L90).\*\*
- Screw in sensor ready. Occupancy sensor and remote control sold separately. Remote control required to change factory sensor settings.
- LED chromaticity based on < 6-step ANSI quadrangles.
- LED color maintenance < -0.0034 chromaticity shift ( $\Delta u'v'$ ) over the initial 6,000 hours of operation.
- Color Rendering Index > 80.

\* Default kelvin temperature 4000k and highest lumen output.

\*\* L70 & L90 hours are IES TM-21-11 calculated hours.



### MOUNTING

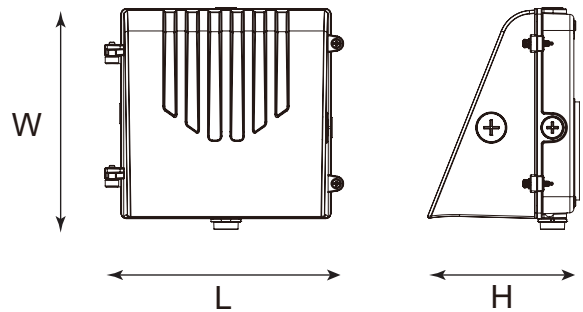
- Wall mounting kit.

### CODE COMPLIANCE

- cULus listed for wet locations.
- DLC premium listed
- Complies with FCC Part 15, class A.
- IP65 rated for ingress protection.
- IK08 rated for impact protection.

### WARRANTY

- 5 year warranty on all electronics and housing.



Model #	L (in)	W (in)	H (in)	Weight (lbs)
WPFCSR-9865L-3CCT	10.06	8.86	6.25	3.98
WPFCSR-17151310L-3CCT	14.49	9.25	6.44	5.97

### ORDERING INFORMATION

Example: WPFCSR-9865L-3CCT

Model	Nominal Lumen Output (selectable)		Kelvin (selectable)		Installed Options
WPFCSR	9865L	9,000/ 8,000/ 6,000/ 5,000 lm	3CCT	3000/ 4000/ 5000K	EM8 8W Emergency Driver
	17151310L	17,000/ 15,000/ 13,000/ 10,000 lm			

## ACCESSORIES (ORDER SEPARATELY)

### Sensor

- HD07VR-PHF-1 = Passive infrared sensor - maximum mounting height = 39 FT  
HD07VR-MHF-1 = Microwave step-dimming sensor - maximum mounting height = 49 FT  
HD05R = Remote control for HD07VR and HD09VR series Sensors (required to change factory settings)

**Factory settings for Sensor :** detection area =100%, hold time = 5 sec, stand-by period = 0 sec, stand-by dimming level = 10%, daylight threshold = disabled

## COMPATIBLE DIMMERS AND CONTROLS

Manufacturer	Model Number	Dimmer Range	Load Switching Capacity
Best Lighting	DWS-010V-T	10%-100%	600W
Best Lighting	DWS-010V-D	10%-100%	600W
Leviton	IP710-LFZ	10%-100%	1200W
Lutron	DVSTV	10%-100%	450W

## COMPATIBLE EMERGENCY DRIVERS-INSTALLED\*

Emergency Driver Part Number	EM8	
	Watts	EM Lumens
WPFCSR-9865L-3CCT	8	1260
WPFCSR-17151310L-3CCT	8	1269

\* EM Lumens based on factory setting of 4000K CCT and highest power setting.

## LUMEN TABLES

Series	Measurements	30W			40W			50W			60W		
		3000K	4000K	5000K	3000K	4000K	5000K	3000K	4000K	5000K	3000K	4000K	5000K
WPFCSR-9865L-3CCT	Lumens	4,815	5,015	5,024	6,034	6,295	6,308	7,644	8,042	8,000	8,529	9,010	8,916
	Watts	31.28	30.56	31.23	39.87	38.98	39.81	52.02	50.55	51.98	59.13	57.22	58.95
	Efficacy	153.93	164.10	160.87	151.34	161.49	158.45	146.94	159.09	153.91	144.24	157.46	151.25

Series	Measurements	60W			80W			100W			120W		
		3000K	4000K	5000K	3000K	4000K	5000K	3000K	4000K	5000K	3000K	4000K	5000K
WPFCSR-17151310L-3CCT	Lumens	9,337	9,638	9,740	12,067	12,561	12,586	14,370	15,090	15,010	16,282	17,186	16,980
	Watts	59.62	58.48	59.54	78.87	77.01	78.78	96.32	93.79	96.27	111.81	108.36	111.5
	Efficacy	156.61	164.81	163.59	153.00	163.11	159.76	149.19	160.89	155.92	145.62	158.60	152.29

## ELECTRICAL DATA

Series	CCT	Input Amps (A)											
		30W			40W			50W			60W		
		120V	240V	277V	120V	240V	277V	120V	240V	277V	120V	240V	277V
WPFCSR-9865L-3CCT	3000K	0.26	0.13	0.11	0.33	0.17	0.14	0.43	0.22	0.19	0.49	0.25	0.21
	4000K	0.25	0.13	0.11	0.32	0.16	0.14	0.42	0.21	0.18	0.48	0.24	0.21
	5000K	0.26	0.13	0.11	0.33	0.17	0.14	0.43	0.22	0.19	0.49	0.25	0.21

Series	CCT	Input Amps (A)											
		60W			80W			100W			120W		
		120V	240V	277V	120V	240V	277V	120V	240V	277V	120V	240V	277V
WPFCSR-17151310L-3CCT	3000K	0.50	0.25	0.22	0.66	0.33	0.28	0.80	0.40	0.35	0.93	0.47	0.40
	4000K	0.49	0.24	0.21	0.64	0.32	0.28	0.78	0.39	0.34	0.90	0.45	0.39
	5000K	0.50	0.25	0.21	0.66	0.33	0.28	0.80	0.40	0.35	0.93	0.46	0.40

## PHOTOMETRICS

### WPFCSR-9865L-3CCT

#### Luminaire Data

Description	Full Cut Off Wall Pack Field Selectable
Total Lumens	9,010
Input Wattage	57
Efficacy (lm/W)	157
Max. Cd.	3709.5 (360H, 25V)
IES Classification	Type III
Longitudinal Classification	Very Short

#### Zonal Lumen Summary

Zone	Lumens	%Fixt
0-30°	2,496	27.7%
0-60°	7,392	82.0%
0-80°	8,939	99.2%
80-90°	71	0.8%*
0-90°	9,010	100.0%
90-110°	0	0.0%
110-180°	0	0.0%
0-180°	9,010	100.0%

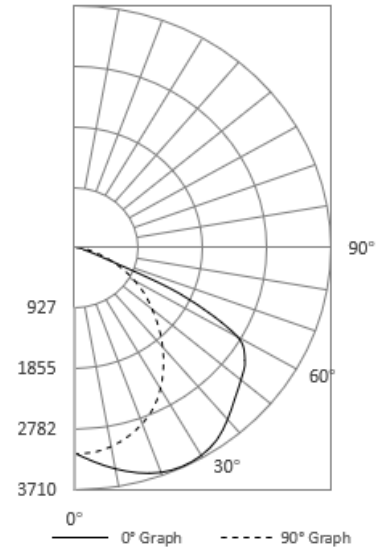
#### Luminaire Classification Systems (LCS)

LCS Zone	Lumens	%Lum
FL 0-30	1,398	15.5%
FM 30-60	3,162	35.1%
FH 60-80	1,173	13.0%
FVH 80-90	46	0.5%
BL 0-30	1,099	12.2%
BM 30-60	1,734	19.2%
BH 60-80	374	4.1%
BVH 80-90	25	0.3%
UL 90-100	0	0.0%
UH 100-180	0	0.0%
<b>Total</b>	<b>9,010</b>	<b>100.0%</b>
BUG Rating	B3-U0-G1	

Photometrics calculated @4000k, and highest lumen setting

\* 80-90° glare zone is calculated by dividing the lumens in that zone by the lumen total in the 0-90° zone

#### 180° Polar Graph



### WPFCSR-17151310L-3CCT

#### Luminaire Data

Description	Full Cut Off Wall Pack Field Selectable
Total Lumens	17,186
Input Wattage	108
Efficacy (lm/W)	159
Max. Cd.	6670 (360H, 28V)
IES Classification	Type III
Longitudinal Classification	Very Short

#### Zonal Lumen Summary

Zone	Lumens	%Fixt
0-30°	4,624	26.9%
0-60°	13,815	80.4%
0-80°	16,988	98.8%
80-90°	198	1.2%*
0-90°	17,186	100.0%
90-110°	0	0.0%
110-180°	0	0.0%
0-180°	17,186	100.0%

#### Luminaire Classification Systems (LCS)

LCS Zone	Lumens	%Lum
FL 0-30	2,516	14.6%
FM 30-60	5,734	33.4%
FH 60-80	2,374	13.8%
FVH 80-90	141	0.8%
BL 0-30	2,108	12.3%
BM 30-60	3,457	20.1%
BH 60-80	799	4.6%
BVH 80-90	57	0.3%
UL 90-100	0	0.0%
UH 100-180	0	0.0%
<b>Total</b>	<b>17,186</b>	<b>100.0%</b>
BUG Rating	B3-U0-G2	

Photometric calculated at 4000k, and highest lumen output

\* 80-90° glare zone is calculated by dividing the lumens in that zone by the lumen total in the 0-90° zone

#### 180° Polar Graph

