

# DK Series

## Disk Light Kelvin Field Selectable

<b>Project:</b>	
<b>Type:</b>	
<b>Catalog #:</b>	

### STANDARDS



### HOUSING

- Premium powder-coat, steel, white housing.

### ELECTRICAL

- 120V AC voltage (60Hz) is standard.
- Triac dimming.
- Input transient surge protection = 0.5kV.
- Power factor > 0.90.
- Total Harmonic distortion < 20%.

### OPTICAL SYSTEM

- Polycarbonate diffuser.
- Field selectable 2700k(soft white), 3000k(warm white), 3500k(warm/neutral white), 4000k (neutral white) and 5000k (cool white) color temperatures\*.
- DK4-8L-KFS delivers 741 to 830 nominal lumens\*.
- DK6-10L-KFS delivers 1153 to 1268 nominal lumens\*.
- Long-life LEDs provide 134,000 hours of operation with at least 70% of initial lumen output (L70), and 41,000 hours with at least 90% of initial lumen output (L90)\*\*.
- Beam angle 120°.
- Color rendering index > 90.

\* Default 4000k kelvin temperature  
 \*\*L70 & L90 hours are IES TM-21-11 calculated hours.



### MOUNTING

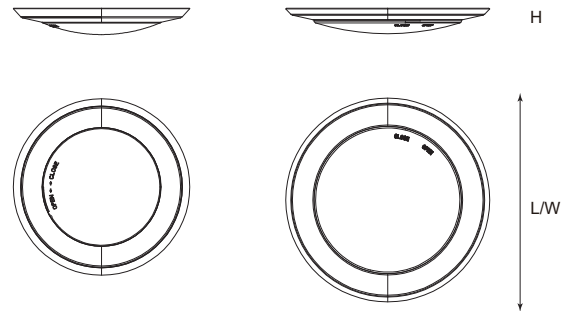
- Surface mounting and retrofit installation.
- Covered ceiling mount.

### CODE COMPLIANCE

- cETLus listed for wet locations.
- Energy Star certified.
- Complies with FCC part 15, class B.
- Complies with Title 24.

### WARRANTY

- 5 year warranty on all electronics and housing.



Model #	L (in)	W (in)	H (in)	Weight (lbs)
DK4-8L-KFS	5.87	5.87	0.87	0.35
DK6-10L-KFS	7.22	7.22	0.9	0.49

### ORDERING INFORMATION

Example: DK4-8L-KFS

Series	Nominal Lumen Output		Kelvin Selectable
	DK4	8L	
DK6	10L	1000 lm	

# DK Series

## Disk Light Kelvin Field Selectable

### LUMEN TABLES

Series	Measurements	Mid Lumens				
		2700K	3000K	3500K	4000K	5000K
DK4-8L-KFS	Lumens	741	773	829	832	830
	Watts	9.82	9.84	9.96	9.91	9.88
	Efficacy	75.50	78.51	83.23	83.91	84.02

Series	Measurements	Mid Lumens				
		2700K	3000K	3500K	4000K	5000K
DK6-10L-KFS	Lumens	1,153	1,206	1,289	1,277	1,268
	Watts	14.26	14.42	14.69	14.45	14.37
	Efficacy	80.86	83.63	87.75	88.37	88.24

### ELECTRICAL DATA

Series	CCT	Input Amps (A)
		Mid Lumens
		120V
DK4-8L-KFS	2700K	0.08
	3000K	0.08
	3500K	0.08
	4000K	0.08
	5000K	0.08

Series	CCT	Input Amps (A)
		Mid Lumens
		120V
DK6-10L-KFS	2700K	0.12
	3000K	0.12
	3500K	0.12
	4000K	0.12
	5000K	0.12

# DK Series

Disk Light  
Kelvin Field Selectable

## COMPATIBLE DIMMERS AND CONTROLS

Manufacturer	Model Number		
Lutron	TG-600PR-WH	SLV-600P-AL	DVCL-153P
	S-600PR-WH	DV-600PR-WH	MSCL-OP153M
	CTCL-153PDH-WH	SCL-153PH-WH	PD-6WCL
	TGCL-153PH-LA	GT-600P	MACL-153M//MA-R
Leviton	6672	6674	IPL06
	RNL06	DSL06	-