

PNL2X4-LKFS

2X4 Back-Lit LED Panel - LKFS

| | |
|------------|--|
| Project: | |
| Type: | |
| Catalog #: | |

STANDARD



FEATURES

- Field selectable 3500k (warm/neutral white), 4000k (neutral white), & 5000k (cool white) color temperatures.*
- Long-life LEDs provide 144,000 hours of operation with at least 70% of initial lumen output (L_{70}), and 44,000 hours with at least 90% of initial lumen output (L_{90}).**
- Selectable lumen outputs range from 3,300 to 5,000 nominal lumens.*
- Uniform illumination with no visible LED pixilation.
- Universal 120-277 AC voltage (50-60Hz) is standard.
- 0-10vdc dimming drivers are standard.
- Power factor > 90.
- Total harmonic distortion < 20%.
- Color rendering index > 80.
- Steel frame and housing backplate.
- PMMA (polymethyl methacrylate) LED lenses for optimal light distribution, efficiency and longevity.
- Easy installation in new construction or retrofit.
- Standard earthquake clips provide secure installation in grid ceilings.
- Optional emergency drivers are available.
- Standard mounting options include recessed mounting in grid ceilings, or suspended mounting using attached hanging brackets. For mounting in plaster or other hard ceiling, see Mounting Kits.

* Contact factory for other color temperatures and lumen packages.

** L_{70} hours are IES TM-21-11 calculated hours.



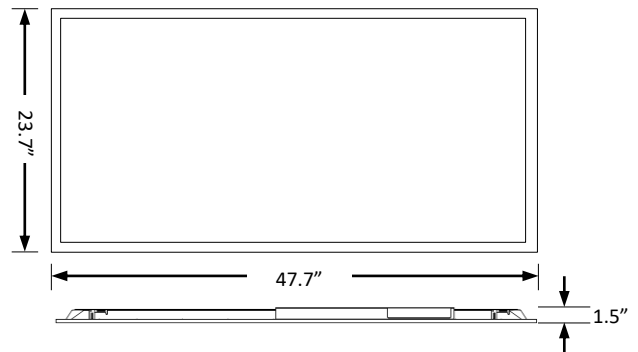
WARRANTY & LISTINGS

- cULus for damp locations and insulated ceilings (Type IC-rated). Suitable for ambient temperatures from -20°C to 40°C (-4°F to 104°F).
- DLC premium approved.
- Flicker-free per IEEE1789-2015 (no observable adverse effects of flicker at 100% light output level).
- Complies with FCC Part 15, class B.
- Surge immunity protection = 1kV.
- 5-year warranty of all electronics and housing.

MOUNTING KITS

- Optional Surface Mount Kits (SMKT-24) and Flange Mounting Kits (FLANGEKIT24-ET) provide for installation on plaster or other hard ceilings.
- Optional Cable Mounting Kits (PNL-CM) provide additional security, as well as suspended mounting.

DIMENSIONS



Weight: 9 lbs.

ORDERING INFORMATION

Example: PNL2X4-50L-LKFS-PRM

| Series | Maximum Lumens | Lumen Output/ Color Temperature | | DLC | | Emergency Driver ¹ | | Accessories Order Separately | | |
|--------|----------------|---|----------------|-------|---------|-------------------------------|---------------------|------------------------------|-----------|-----------------------------|
| | | Selectable Lumens | Selectable CCT | PRM | PREMIUM | | | | | |
| PNL2X4 | 50L | LKFS* <small>*Field selectable</small> | 3,300 lm | 3500K | PRM | PREMIUM | EM5 | 650 lumens | DWS-010-T | 0-10v dimmer, toggle switch |
| | | | 4,500 lm | 4000K | | | EM10 | 1,300 lumens | DWS-010-D | 0-10v dimmer, decora switch |
| | | | 5,000 lm | 5000K | | | EM13 | 1,690 lumens | IP710-DLZ | 0-10v dimmer, button switch |
| | | | | | | Blank | No emergency driver | | | |

¹ See list of emergency drivers (page 3).

PNL2X4-LKFS

2X4 Back-Lit LED Panel - LKFS

ELECTRICAL DATA

| Series | Measurements | Low Lumens | | | Mid Lumens | | | High Lumens | | |
|--------------|-------------------|--------------|--------------|--------------|--------------|--------------|--------------|--------------|--------------|--------------|
| | | 3500K | 4000K | 5000K | 3500K | 4000K | 5000K | 3500K | 4000K | 5000K |
| PNL2X4-LKFS | Lumens | 3284 | 3323 | 3389 | 4448 | 4576 | 4538 | 5015 | 5247 | 5157 |
| | Watts | 24 | 23 | 24 | 33 | 32 | 33 | 38 | 37 | 38 |
| | Efficacy | 138 | 148 | 144 | 134 | 144 | 138 | 131 | 141 | 137 |
| | Input Current (A) | 120V = 0.20A | 120V = 0.19A | 120V = 0.20A | 120V = 0.28A | 120V = 0.27A | 120V = 0.28A | 120V = 0.32A | 120V = 0.31A | 120V = 0.32A |
| 240V = 0.10A | | 240V = 0.10A | 240V = 0.10A | 240V = 0.14A | 240V = 0.13A | 240V = 0.14A | 240V = 0.16A | 240V = 0.15A | 240V = 0.16A | |
| 277V = 0.09A | | 277V = 0.08A | 277V = 0.09A | 277V = 0.12A | 277V = 0.12A | 277V = 0.12A | 277V = 0.14A | 277V = 0.13A | 277V = 0.14A | |

PHOTOMETRIC DATA

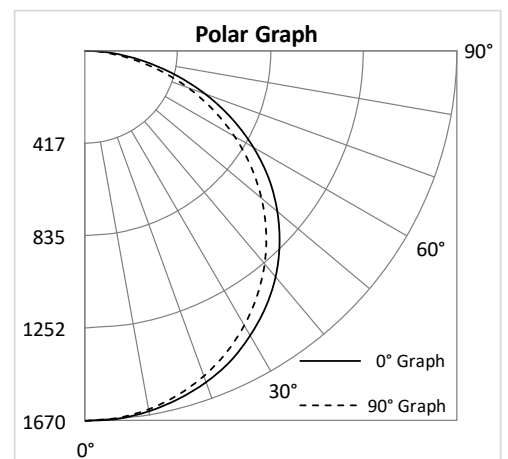
PNL2X4-50L-LKFS-PRM

Luminaire Data

| | |
|-----------------------------|---|
| Description | Premium Back Lit Panel 2X4 50L 5K - LKFS |
| Total Lumens | 5,157 |
| Input Wattage | 38 |
| Efficacy (lm/W) | 137 |
| Spacing Criterion (0-180°) | 1.34 |
| Spacing Criterion (90-270°) | 1.28 |

Zonal Lumen Summary

| Zone | Lumens | %Fixt |
|---------|--------|--------|
| 0-20° | 614 | 11.9% |
| 0-30° | 1,316 | 25.5% |
| 0-40° | 2,181 | 42.3% |
| 20-50° | 2,491 | 48.3% |
| 40-70° | 2,457 | 47.6% |
| 0-60° | 3,964 | 76.9% |
| 0-80° | 5,039 | 97.7% |
| 0-90° | 5,152 | 99.9% |
| 90-180° | 5 | 0.1% |
| 0-180° | 5,157 | 100.0% |



PNL2X4-LKFS

2X4 Back-Lit LED Panel - LKFS

COMPATIBLE EMERGENCY DRIVERS*

| Emergency Driver Part Number | EM5 | | EM10 | | EM13 | | Runtime |
|------------------------------|-------|-----------|-------|-----------|-------|-----------|----------|
| Model | Watts | EM Lumens | Watts | EM Lumens | Watts | EM Lumens | |
| PNL2X4-50L-LKFS-PRM | 5 | 650 | 10 | 1300 | 13 | 1690 | 90 MINS. |

* Suitable for ambient temperatures above 0°C (32°F).

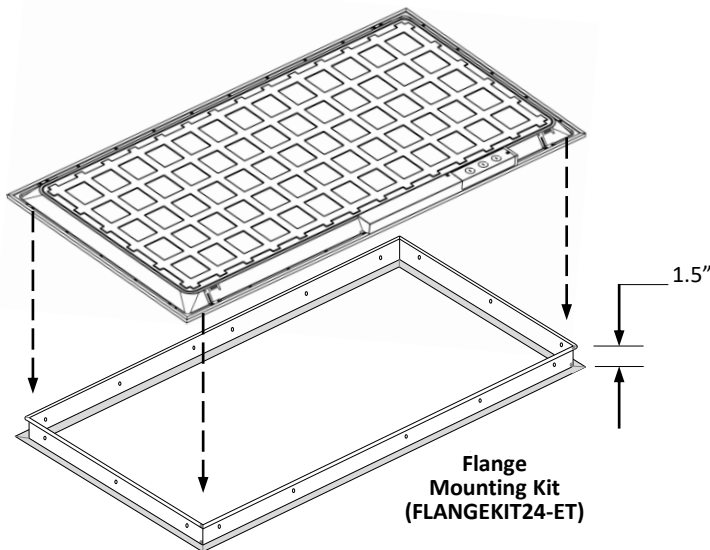
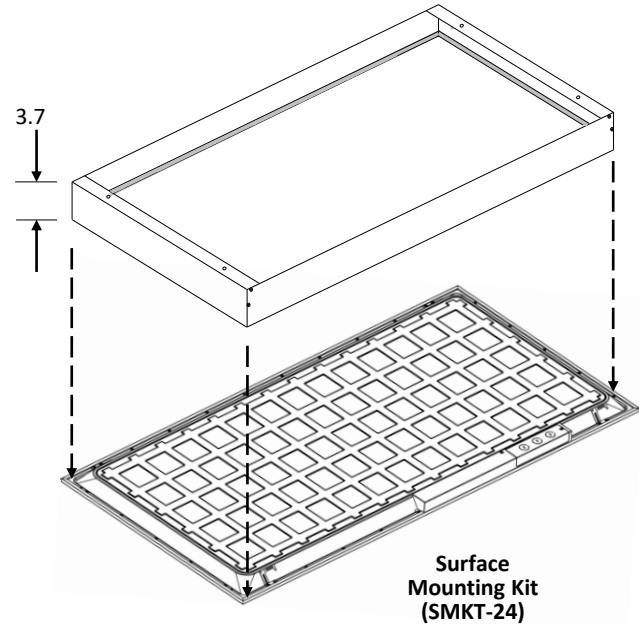
COMPATIBLE DIMMERS & CONTROLS

| Manufacturer | Model Number | Dimming Range | Load Switching Capacity |
|---------------|--------------|---------------|-------------------------|
| Best Lighting | DWS-010V-T | 10%-100% | 600W |
| Best Lighting | DWS-010V-D | 10%-100% | 600W |
| Leviton | IP710-LFZ | 10%-100% | 1200W |
| Lutron | DVSTV | 10%-100% | 450W |

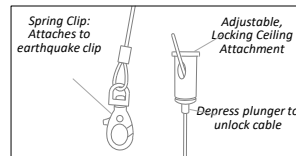
PNL2X4 2x4 Premium Back-Lit LED Panel

MOUNTING MEANS – ORDER SEPARATELY

- Optional surface mounting kits (SMKT-24) mounts below the ceiling.
- Optional flange mounting kits provide for recessed installation on plaster or other hard ceilings. Attach Flange Mount Kit (FLANGEKIT24-ET) to ceiling joists or other stationary structures, and the panel is mounted flush to the ceiling.
- Optional cable mounting kits provide additional security, as well as suspended mounting. Attach one end of the Cable Mount Kit (PNL-CM) to luminaire earthquake clips using spring clips, and attach the other end to stationary structures using the adjustable, locking ceiling attachment (see picture below right).



Cable Mounting Kit (PNL-CM)



Cable Mount Kit:

- Spring Clip
- Adjustable, locking ceiling attachment