

# HBRSR

Sensor Ready Round High Bay  
Lumen & Kelvin Selectable

Project:	
Type:	
Catalog #:	



## STANDARD



## FEATURES

- Field selectable 4000k (neutral white) and 5000k (cool white) color temperatures.
- Long-life LEDs provide 146,000 hours of operation with at least 70% of initial lumen output ( $L_{70}$ ), and 44,000 hours with at least 90% of initial lumen output ( $L_{90}$ ).\*
- LED color maintenance  $< 0.003$  chromaticity shift ( $\Delta u'v'$ ) over the initial 6,000 hours of operation.
- Tri-lumen selectable delivers 16,000 to 35,000 nominal lumens (see lumen table on page 3).
- Screw in sensor ready. Sensor and remote control sold separately. Remote control required to change factory sensor settings.
- Universal 120-277V AC voltage (50-60Hz) is standard. 347-480V achieved with step-down transformer (sold separately).
- 0-10vdc dimming drivers are standard.
- 6-foot incoming AC power cords are standard.
- Watertight, compression-type electrical connectors.
- Power factor  $> 0.90$ .
- Total harmonic distortion  $< 20\%$ .
- Color rendering index  $> 80$ .
- Die cast aluminum housing and polycarbonate lenses are standard. White or black housing.
- Aluminum & polycarbonate reflectors available.

\* Contact factory for other color temperatures and lumen packages.

\*\*  $L_{70}$  &  $L_{90}$  hours are IES TM-21-11 calculated hours.

## WARRANTY & LISTINGS

- cULus listed for wet locations in ambient temperatures from  $-40^{\circ}\text{C}$  to  $50^{\circ}\text{C}$  ( $-40^{\circ}\text{F}$  to  $122^{\circ}\text{F}$ ).
- DLC 5.1 premium listed.
- Input transient surge protection = 6kV.
- Complies with FCC Part 15, class A.
- IP65 rated for ingress protection.
- Lenses are rated IK09.
- 5-year warranty on all electronics and housing.

## MOUNTING OPTIONS

- Suspension from eyebolt (included) is standard.
- Ceiling-mounted installation (using optional yoke mounting bracket, provides up to  $180^{\circ}$  of adjustability).
- Two ways to mount luminaire to electrical conduit:
  - Attach conduit ( $1/2"$  NPS) to optional yoke mounting bracket.
  - Optional pendant snap hook.

## DIMENSIONS

Model	Size (inches) & Weight (lbs)		
	$\varnothing$	H	Weight
HBRSR-221816L-4K5K	10.6	5.5	3.7
HBRSR-353024L-4K5K	13	5.6	6

## ORDERING INFORMATION

Example: HBRSR-221816L-4K5K-WHT

Series	Nominal Lumen Output (Selectable)		Kelvin Selectable	Housing Color	
	221816L	353024L		BLK	WHT
HBRSR	22,000/18,000/16,000	35,000/30,000/24,000	4K5K	Black	White

## ACCESSORIES (order separately)

### Sensor

- HD07VR-PH-1 = Passive infrared sensor - maximum mounting height = 39 FT, factory settings: detection area = 100%, hold time = 5 sec, stand-by period = 0 sec, stand-by dimming level = 10%, daylight threshold = disabled
- HD07VR-MH-B-1 = Microwave step-dimming sensor - maximum mounting height = 49 FT, factory settings: detection area = 100%, hold time = 5 sec, stand-by period = 0 sec, stand-by dimming level = 10%, daylight threshold = disabled
- HD05R = Remote control for HD07VR-PH-1 & HD07VR-MH-B-1 (required to change factory settings)

### Step-down Transformers

- HBSD-325W-480-277 = 347-480V step-down transformer - all models

### Reflectors

- HBR SR-ALREF-S = 90° aluminum reflector - HBR SR-221816L-4K5K models
- HBR SR-PCREF-S = 90° polycarbonate reflector - HBR SR-221816L-4K5K models
- HBR SR-ALREF-L = 90° aluminum reflector - HBR SR-353024L-4K5K models
- HBR SR-PCREF-L = 90° polycarbonate reflector - HBR SR-353024L-4K5K-4K5K models

### Mounting Options

- HBR SR-YOKE-WHT = Yoke mount - all models - white
- HBR SR-YOKE-BLK = Yoke mount - all models - black
- LEDHBR SN-PSH-PRM-V2 = Pendant snap hook - all models

## COMPATIBLE DIMMERS & CONTROLS

Manufacturer	Model Number	Dimming Range	Load Switching Capacity
Best Lighting	DWS-010V-T	10%-100%	600W
Best Lighting	DWS-010V-D	10%-100%	600W
Leviton	IP710-LFZ	10%-100%	1200W
Lutron	DVSTV	10%-100%	450W

## ELECTRICAL DATA

Series	Measurements	Low Lumens		Mid Lumens		High Lumens	
		4000K	5000K	4000K	5000K	4000K	5000K
<b>HBR SR-221816L-4K5K</b>	Lumens	15,891	15,522	18,790	18,218	22,935	21,802
	Watts	95	97	115	118	147	150
	Efficacy	168	161	163	155	156	145
	Input Current (A)	120V = 0.79A	120V = 0.81A	120V = 0.96A	120V = 0.98A	120V = 1.23A	120V = 1.25A
		240V = 0.40A	240V = 0.40A	240V = 0.48A	240V = 0.49A	240V = 0.61A	240V = 0.63A
		277V = 0.34A	277V = 0.35A	277V = 0.42A	277V = 0.43A	277V = 0.53A	277V = 0.54A

Series	Measurements	Low Lumens		Mid Lumens		High Lumens	
		4000K	5000K	4000K	5000K	4000K	5000K
<b>HBR SR-353024L-4K5K</b>	Lumens	24,368	23,920	30,801	29,953	35,716	34,621
	Watts	146	148	192	196	229	236
	Efficacy	167	161	161	153	156	147
	Input Current (A)	120V = 1.22A	120V = 1.23A	120V = 1.60A	120V = 1.63A	120V = 1.91A	120V = 1.97A
		240V = 0.61A	240V = 0.62A	240V = 0.80A	240V = 0.82A	240V = 0.95A	240V = 0.98A
		277V = 0.53A	277V = 0.53A	277V = 0.69A	277V = 0.71A	277V = 0.83A	277V = 0.85A

### PHOTOMETRIC DATA

#### HBR SR-221816L-4K5K

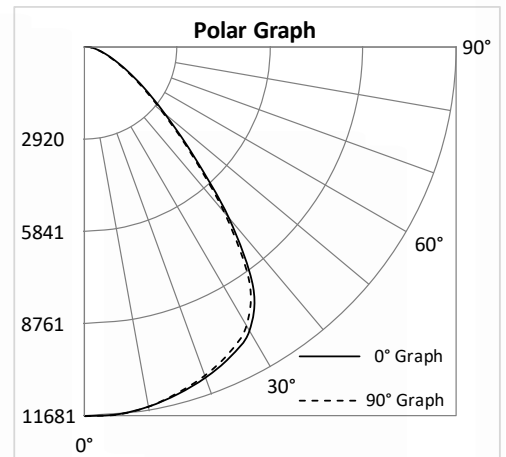
##### Luminaire Data

Description	Round High Bay Lumen/Kelvin Selectable
Total Lumens	21,803
Input Wattage	150
Efficacy (lm/W)	145
Spacing Criterion (0-180°)	1.3
Spacing Criterion (90-270°)	1.28

Photometrics calculated at  
5000k - high lumens setting

##### Zonal Lumen Summary

Zone	Lumens	%Fixt
0-20°	4,293	19.7%
0-30°	9,222	42.3%
0-40°	14,678	67.3%
20-50°	14,029	64.3%
40-70°	6,597	30.3%
0-60°	20,287	93.0%
0-80°	21,704	99.5%
0-90°	21,803	100.0%
90-180°	0	0.0%
0-180°	21,803	100.0%



#### HBR SR-353024L-4K5K

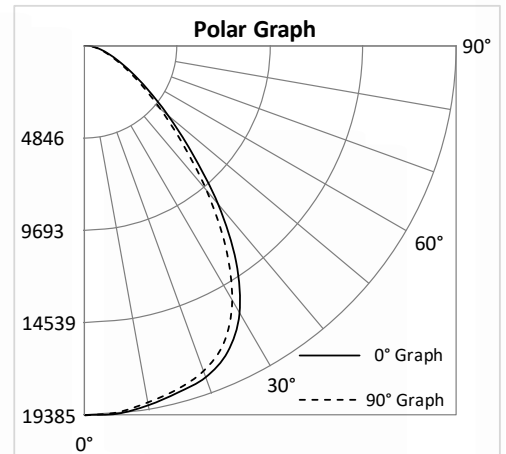
##### Luminaire Data

Description	Round High Bay Lumen/Kelvin Selectable
Total Lumens	34,628
Input Wattage	236
Efficacy (lm/W)	147
Spacing Criterion (0-180°)	1.24
Spacing Criterion (90-270°)	1.2

Photometrics calculated at  
5000k - high lumens setting

##### Zonal Lumen Summary

Zone	Lumens	%Fixt
0-20°	7,096	20.5%
0-30°	14,949	43.2%
0-40°	22,917	66.2%
20-50°	21,399	61.8%
40-70°	10,642	30.7%
0-60°	31,779	91.8%
0-80°	34,413	99.4%
0-90°	34,628	100.0%
90-180°	0	0.0%
0-180°	34,628	100.0%



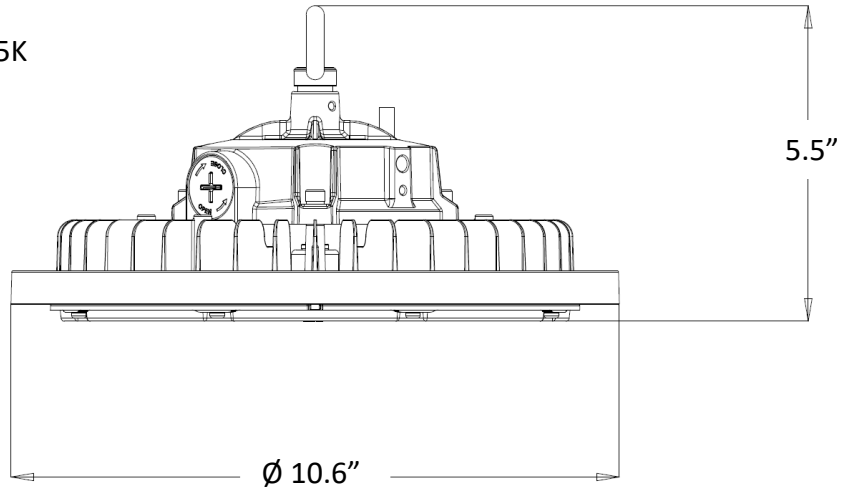
## CORDS & PLUGS

- When ordering a plug, use the following suffix choices.
  - Example: **HBRSR-221816L-4K5K-WHT-P515**
- Note: plugs do not affect the ability to install sensors.

Part number suffix	Description	For use with
P515	NEMA plug - 120V 15A	All models
P615	NEMA plug - 240V 15A	
P715	NEMA plug - 277V 15A	
P520	NEMA plug - 120V 20A	
P620	NEMA plug - 240V 20A	
P515L	NEMA plug locking - 120V 15A	
P615L	NEMA plug locking - 240V 15A	
P715L	NEMA plug locking - 277V 15A	
P520L	NEMA plug locking - 120V 20A	
P620L	NEMA plug locking - 240V 20A	
P720L	NEMA plug locking - 277V 20A	

## DIMENSIONAL DRAWINGS

HBRSR-221816L-4K5K



HBRSR-353024L-4K5K

