

HBLSR

Sensor Ready Linear High Bay Lumen & Kelvin Selectable

Project:	
Type:	
Catalog #:	



STANDARDS



HOUSING

- Premium powder-coat, steel, white housing.

ELECTRICAL

- Operating temperature (ambient): -40°C to 50°C (-40°F to 122°F).
HBLSR-181512L-4K5K = -40°C to 55°C (-40°F to 131°F).
- Universal 120-277V AC voltage (50-60Hz) is standard.
- 347-480V achieved with step-down transformer is optional.
- 0-10VDC dimming drivers are standard.
- Emergency driver option available.
- Input transient surge protection = 6kV.
- Power factor > 0.90.
- Total Harmonic distortion < 20%.

OPTICAL SYSTEM

- Polycarbonate lenses.
- Field selectable 4000k (neutral white) and 5000k (cool white) color temperatures*.
- Tri-lumen selectable delivers 12,000 to 60,000 nominal lumens*.
- Long-life LEDs provide 134,000 hours of operation with at least 70% of initial lumen output (L70), and 40,000 hours with at least 90% of initial lumen output (L90)**.
- Screw in sensor ready. Sensor and remote control sold separately. Remote control required to change factory sensor settings.
- LED color maintenance < 0.003 chromaticity shift ($\Delta u'v'$) over the initial 6,000 hours of operation.
- Medium distribution is standard with optional narrow or wide distribution lenses.
- Color rendering index > 80.

* Default kelvin temperature 4000k and highest lumen output.

** L70 & L90 hours are IES TM-21-11 calculated hours.

MOUNTING

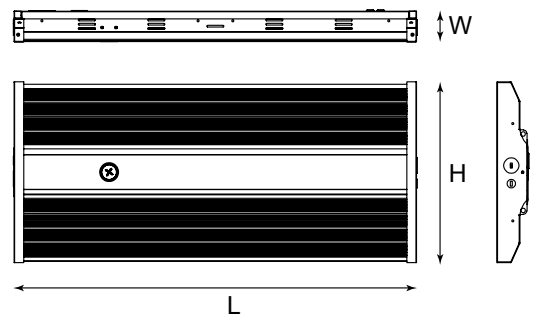
- Chain-mount kit (includes v-hooks and 1-meter-long chain) are standard.
- Optional pendant mounting kit provides pendant attachment to ½" rigid conduit.
- Optional surface mounting kit provides attachment to solid surfaces.
- Optional cable mount kit provides luminaire suspension.

CODE COMPLIANCE

- cULus listed for damp locations.
 - DLC premium listed for medium distribution.*
 - Complies with FCC part 15, class A.
- *DLC standard listed for narrow and wide distributions.

WARRANTY

- 5 year warranty on all electronics and housing.



Model #	L (in)	W (in)	H (in)	Weight (lbs)
HBLSR-181512L-4K5K	16.5	10.25	1.8	4.6
HBLSR-241815L-4K5K	23	10.25	1.8	7
HBLSR-363024L-4K5K	31	10.25	1.8	9.5
HBLSR-604836L-4K5K	44	10.25	1.8	12

ORDERING INFORMATION

Example: HBLSR-181512L-4K5K-ND-EM25

Series	Nominal Lumen Output (Selectable)		Kelvin Selectable	Input Voltage		Lens Distribution		Emergency Driver															
	181512L	241815L		363024L	604836L	4K5K	UNC ¹	Blank	347-480V	120-277V	ND	WD	Blank	Narrow	Wide	Medium	EM10	EM13	EM25	Blank	10W Emergency Driver	13W Emergency Driver	25W Emergency Driver
HBLSR	18,000 / 15,000 / 12,000	24,000 / 18,000 / 15,000	36,000 / 30,000 / 24,000	60,000 / 48,000 / 36,000	4K5K	UNC ¹	Blank	347-480V	120-277V	ND	WD	Blank	Narrow	Wide	Medium	EM10	EM13	EM25	Blank	10W Emergency Driver	13W Emergency Driver	25W Emergency Driver	No Emergency Driver

¹ UNC 347-480V is not compatible with emergency drivers (EMxx).

ACCESSORIES (ORDER SEPARATELY)

Sensor

HD07VR-PH-1	=	Passive infrared sensor - maximum mounting height = 39 FT
HD07VR-MH-B-1	=	Microwave step-dimming sensor - maximum mounting height = 49 FT
HD09VR-PH5-1*	=	Passive infrared sensor - maximum mounting height = 39FT.
HD09VR-MH5-1*	=	Microwave step-dimming sensor - maximum mounting height = 49FT.
HD05R	=	Remote control for HD07VR-PH-1, HD07VR-MH-B-1, HD09VR-PH5-1 & HD09VR-MH5-1(required to change factory settings)

*HD09VR series has 5-dial setting capability.

Factory settings for Sensor : detection area =100%, hold time = 5 sec, stand-by period = 0 sec, stand-by dimming level = 10%, daylight threshold = disabled

Lens

HBLSR-LENS-181512L-ND	=	Narrow distribution lens for HBLSR-181512L-4K5K
HBLSR-LENS-241815L-ND	=	Narrow distribution lens for HBLSR-241815L-4K5K
HBLSR-LENS-363024L-ND	=	Narrow distribution lens for HBLSR-363024L-4K5K
HBLSR-LENS-604836L-ND	=	Narrow distribution lens for HBLSR-604836L-4K5K
HBLSR-LENS-181512L-MD	=	Medium distribution lens for HBLSR-181512L-4K5K (ships with luminaire standard)
HBLSR-LENS-241815L-MD	=	Medium distribution lens for HBLSR-241815L-4K5K (ships with luminaire standard)
HBLSR-LENS-363024L-MD	=	Medium distribution lens for HBLSR-363024L-4K5K (ships with luminaire standard)
HBLSR-LENS-604836L-MD	=	Medium distribution lens for HBLSR-604836L-4K5K (ships with luminaire standard)
HBLSR-LENS-181512L-WD	=	Wide distribution lens for HBLSR-181512L-4K5K
HBLSR-LENS-241815L-WD	=	Wide distribution lens for HBLSR-241815L-4K5K
HBLSR-LENS-363024L-WD	=	Wide distribution lens for HBLSR-363024L-4K5K
HBLSR-LENS-604836L-WD	=	Wide distribution lens for HBLSR-604836L-4K5K

Wire Guard

HBLSR-WG-181512L	=	Wire guard kit for HBLSR-181512L-4K5K
HBLSR-WG-241815L	=	Wire guard kit for HBLSR-241815L-4K5K
HBLSR-WG-363024L	=	Wire guard kit for HBLSR-363024L-4K5K
HBLSR-WG-604836L	=	Wire guard kit for HBLSR-604836L-4K5K

Mounting Options

HBLSR-SMK	=	Surface mount kit for HBLSR - all models (not compatible with UNC or EMxx options)
HBLSR-PMK	=	Pendant mount for HBLSR - all models (not compatible with UNC or EMxx options)
LEDFHB-CMK3	=	Cable mount kit, 3 meters long - all models
LEDFHB-CMK5	=	Cable mount kit, 5 meters long - all models

Remote Mount EM Drivers*

BLEM-CP-10C	=	10W Emergency Driver
BLEM-CP-13C	=	13W Emergency Driver

* Emergency drivers are not compatible with UNC (347-480V) models..

LUMEN TABLES

Series	Measurements	Low Lumens		Mid Lumens		High Lumens	
		4000K	5000K	4000K	5000K	4000K	5000K
HBLSR-181512L-4K5K	Lumens	12,007	12,307	14,555	15,071	18,085	18,421
	Watts	76	77	96	98	120	123
	Efficacy	158	159	152	154	150	150

Series	Measurements	Low Lumens		Mid Lumens		High Lumens	
		4000K	5000K	4000K	5000K	4000K	5000K
HBLSR-241815L-4K5K	Lumens	15,021	15,557	18,017	18,477	24,047	24,241
	Watts	94	96	115	117	158	158
	Efficacy	159	162	157	158	152	153

Series	Measurements	Low Lumens		Mid Lumens		High Lumens	
		4000K	5000K	4000K	5000K	4000K	5000K
HBLSR-363024L-4K5K	Lumens	24,049	24,854	30,037	30,299	35,517	36,076
	Watts	152	155	193	197	237	242
	Efficacy	158	160	156	154	150	149

Series	Measurements	Low Lumens		Mid Lumens		High Lumens	
		4000K	5000K	4000K	5000K	4000K	5000K
HBLSR-604836L-4K5K	Lumens	37,049	38,465	48,182	49,009	60,104	61,319
	Watts	236	241	312	317	404	412
	Efficacy	157	160	154	155	149	149

ELECTRICAL DATA

Series	CCT	Input Amps (A)								
		Low Lumens			Mid Lumens			High Lumens		
		120V	240V	277V	120V	240V	277V	120V	240V	277V
HBLSR-181512L-4K5K	4000K	0.63	0.32	0.27	0.80	0.40	0.35	1.0	0.5	0.43
	5000K	0.64	0.32	0.28	0.82	0.41	0.35	1.03	0.51	0.44

Series	CCT	Input Amps (A)								
		Low Lumens			Mid Lumens			High Lumens		
		120V	240V	277V	120V	240V	277V	120V	240V	277V
HBLSR-241815L-4K5K	4000K	0.78	0.39	0.34	0.96	0.48	0.42	1.32	0.66	0.57
	5000K	0.80	0.40	0.35	0.98	0.49	0.42	1.32	0.66	0.57

Series	CCT	Input Amps (A)								
		Low Lumens			Mid Lumens			High Lumens		
		120V	240V	277V	120V	240V	277V	120V	240V	277V
HBLSR-363024L-4K5K	4000K	1.27	0.63	0.55	1.61	0.80	0.70	1.98	0.99	0.86
	5000K	1.29	0.65	0.56	1.64	0.82	0.71	2.02	1.01	0.87

Series	CCT	Input Amps (A)								
		Low Lumens			Mid Lumens			High Lumens		
		120V	240V	277V	120V	240V	277V	120V	240V	277V
HBLSR-604836L-4K5K	4000K	1.97	0.98	0.85	2.60	1.30	1.13	3.37	1.68	1.46
	5000K	2.01	1.00	0.87	2.64	1.32	1.14	3.43	1.72	1.49

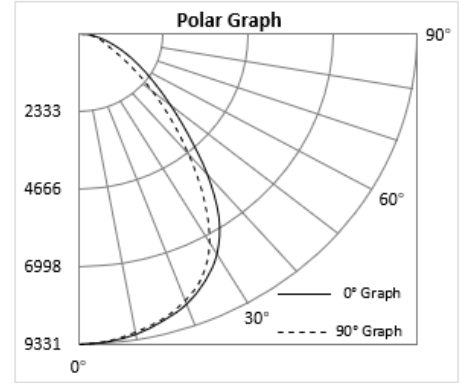
PHOTOMETRICS

HBLSR-181512L-4K5K

Luminaire Data

Description	Linear High Bay Lumen/Kelvin Selectable
Total Lumens	18,423
Input Wattage	123
Efficacy (lm/W)	150
Spacing Criterion (0-180°)	1.22
Spacing Criterion (90-270°)	1.18
Photometrics calculated at 5000k - high lumens setting	

Zonal Lumen Summary		
Zone	Lumens	%Fixt
0-20°	3,402	18.5%
0-30°	7,155	38.8%
0-40°	11,161	60.6%
20-50°	10,840	58.8%
40-70°	6,281	34.1%
0-60°	16,247	88.2%
0-80°	18,156	98.6%
0-90°	18,423	100.0%
90-180°	0	0.0%
0-180°	18,423	100.0%

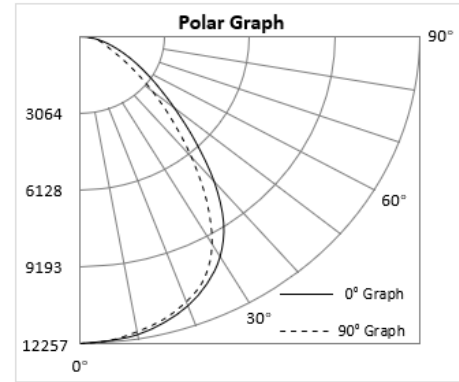


HBLSR-241815L-4K5K

Luminaire Data

Description	Linear High Bay Lumen/Kelvin Selectable
Total Lumens	24,269
Input Wattage	158
Efficacy (lm/W)	153
Spacing Criterion (0-180°)	1.24
Spacing Criterion (90-270°)	1.18
Photometrics calculated at 5000k - high lumens setting	

Zonal Lumen Summary		
Zone	Lumens	%Fixt
0-20°	4,468	18.4%
0-30°	9,398	38.7%
0-40°	14,661	60.4%
20-50°	14,249	58.7%
40-70°	8,283	34.1%
0-60°	21,353	88.0%
0-80°	23,902	98.5%
0-90°	24,269	100.0%
90-180°	0	0.0%
0-180°	24,269	100.0%

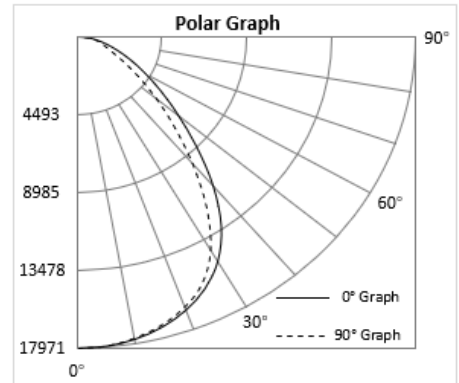


HBLSR-363024L-4K5K

Luminaire Data

Description	Linear High Bay Lumen/Kelvin Selectable
Total Lumens	36,087
Input Wattage	242
Efficacy (lm/W)	149
Spacing Criterion (0-180°)	1.24
Spacing Criterion (90-270°)	1.18
Photometrics calculated at 5000k - high lumens setting	

Zonal Lumen Summary		
Zone	Lumens	%Fixt
0-20°	6,560	18.2%
0-30°	13,802	38.2%
0-40°	21,585	59.8%
20-50°	21,143	58.6%
40-70°	12,526	34.7%
0-60°	31,718	87.9%
0-80°	35,540	98.5%
0-90°	36,087	100.0%
90-180°	0	0.0%
0-180°	36,087	100.0%



HBLSR-604836L-4K5K

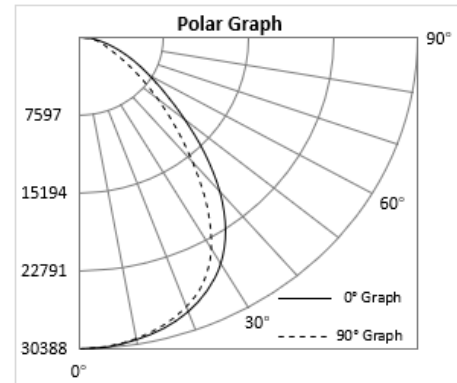
Luminaire Data

Description	Linear High Bay Lumen/Kelvin Selectable
Total Lumens	61,323
Input Wattage	412
Efficacy (lm/W)	149
Spacing Criterion (0-180°)	1.24
Spacing Criterion (90-270°)	1.18

Photometrics calculated at 5000k - high lumens setting

Zonal Lumen Summary

Zone	Lumens	%Fixt
0-20°	11,100	18.1%
0-30°	23,335	38.1%
0-40°	36,491	59.5%
20-50°	35,901	58.5%
40-70°	21,535	35.1%
0-60°	53,908	87.9%
0-80°	60,446	98.6%
0-90°	61,323	100.0%
90-180°	0	0.0%
0-180°	61,323	100.0%



COMPATIBLE EMERGENCY DRIVERS-INSTALLED

Emergency Driver Part Number	EM10		EM13		EM25	
	Watts	EM Lumens	Watts	EM Lumens	Watts	EM Lumens
HBLSR-181512L-4K5K	10	1500	13	1950	25	3750
HBLSR-241815L-4K5K	10	1500	13	1950	25	3750
HBLSR-363024L-4K5K	10	1500	13	1950	25	3750
HBLSR-604836L-4K5K	10	1500	13	1950	25	3750

COMPATIBLE DIMMERS AND CONTROLS

Manufacturer	Model Number	Dimmer Range	Load Switching Capacity
Best Lighting	DWS-010V-T	10%-100%	600W
Best Lighting	DWS-010V-D	10%-100%	600W
Leviton	IP710-LFZ	10%-100%	1200W
Lutron	DVSTV	10%-100%	450W

PLUGS AND CORDS

When ordering a plug, use the following suffix choices.

Example: HBLSR-181512L-4K5K-EM25-10C4

Note: cord & plugs do not affect the ability to install sensors.

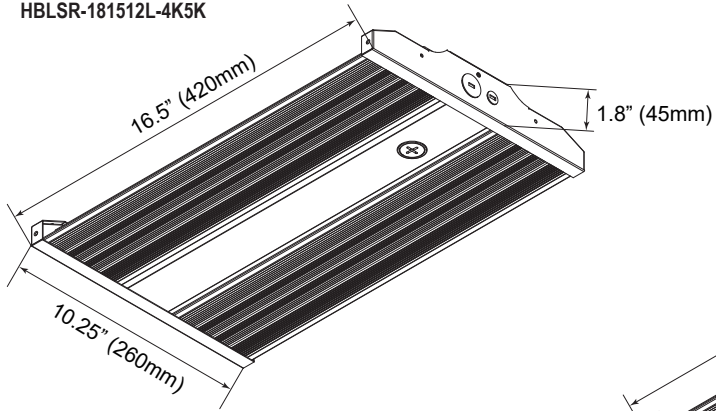
Part number suffix	Description	For use with
6C3	6' cord - 3 conductor (black/white/green)	Standard & UNC
6C4	6' cord - 4 conductor (black/white/green/red)	EM driver
6C5	6' cord - 5 conductor (black/white/green/purple/pink)	Dimming (standard & UNC)
6C6	6' cord - 6 conductor (black/white/green/red/purple/pink)	Dimming & EM driver
10C3	10' cord - 3 conductor (black/white/green)	Standard & UNC
10C4	10' cord - 4 conductor (black/white/green/red)	EM driver
10C5	10' cord - 5 conductor (black/white/green/purple/pink)	Dimming (standard & UNC)
10C6	10' cord - 6 conductor (black/white/green/red/purple/pink)	Dimming & EM driver
15C3	15' cord - 3 conductor (black/white/green)	Standard & UNC
15C4	15' cord - 4 conductor (black/white/green/red)	EM driver
15C5	15' cord - 5 conductor (black/white/green/purple/pink)	Dimming (standard & UNC)
15C6	15' cord - 6 conductor (black/white/green/red/purple/pink)	Dimming & EM driver
6W3	6' whip - 3 conductor (black/white/green)	Standard & UNC
6W4	6' whip - 4 conductor (black/white/green/red)	EM driver
6W5	6' whip - 5 conductor (black/white/green/purple/pink)	Dimming (standard & UNC)
6W6	6' whip - 6 conductor (black/white/green/red/purple/pink)	Dimming & EM driver
6P515	6' cord - 3 conductor (black/white/green) - NEMA 5-15 plug (120V/15A)	Standard luminaire
6P615	6' cord - 3 conductor (black/white/green) - NEMA 6-15 plug (240V/15A)	Standard luminaire
6P715	6' cord - 3 conductor (black/white/green) - NEMA 7-15 plug (277V/15A)	Standard luminaire
6P520	6' cord - 3 conductor (black/white/green) - NEMA 5-20 plug (120V/20A)	Standard luminaire
6P620	6' cord - 3 conductor (black/white/green) - NEMA 6-20 plug (277V/20A)	Standard luminaire
6P515L	6' cord - 3 conductor (black/white/green) - NEMA L5-15 plug (120V/15A locking)	Standard luminaire
6P615L	6' cord - 3 conductor (black/white/green) - NEMA L6-15 plug (240V/15A locking)	Standard luminaire
6P715L	6' cord - 3 conductor (black/white/green) - NEMA L7-15 plug (277V/15A locking)	Standard luminaire
6P520L	6' cord - 3 conductor (black/white/green) - NEMA L5-20 plug (120V/20A locking)	Standard luminaire
6P620L	6' cord - 3 conductor (black/white/green) - NEMA L6-20 plug (240V/20A locking)	Standard luminaire
6P720L	6' cord - 3 conductor (black/white/green) - NEMA L7-20 plug (277V/20A locking)	Standard luminaire
6P2420L	6' cord - 3 conductor (black/white/green) - NEMA L24-20 plug (347V/20A locking)	UNC luminaire
6P820L	6' cord - 3 conductor (black/white/green) - NEMA L8-20 plug (480V/20A locking)	UNC luminaire
10P515	10' cord - 3 conductor (black/white/green) - NEMA 5-15 plug (120V/15A)	Standard luminaire
10P615	10' cord - 3 conductor (black/white/green) - NEMA 6-15 plug (240V/15A)	Standard luminaire
10P715	10' cord - 3 conductor (black/white/green) - NEMA 7-15 plug (277V/15A)	Standard luminaire

PLUGS AND CORDS

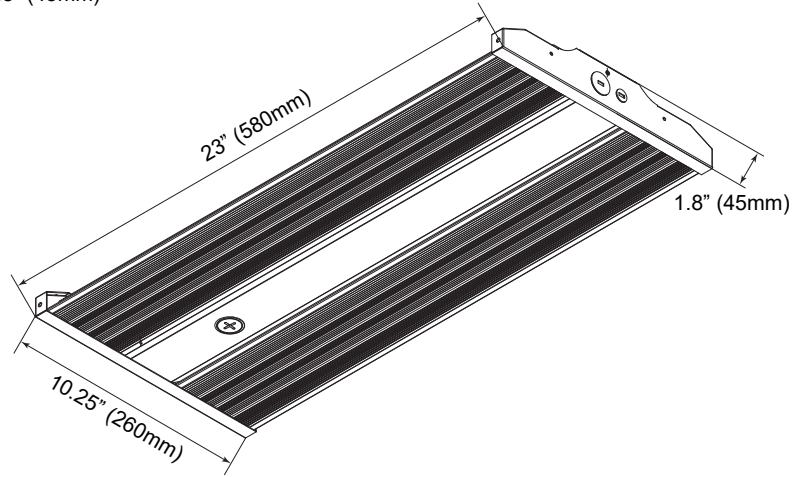
Part number suffix	Description	For use with
10P520	10' cord - 3 conductor (black/white/green) - NEMA 5-20 plug (120V/20A)	Standard luminaire
10P620	10' cord - 3 conductor (black/white/green) - NEMA 6-20 plug (277V/20A)	Standard luminaire
10P515L	10' cord - 3 conductor (black/white/green) - NEMA L5-15 plug (120V/15A locking)	Standard luminaire
10P615L	10' cord - 3 conductor (black/white/green) - NEMA L6-15 plug (240V/15A locking)	Standard luminaire
10P715L	10' cord - 3 conductor (black/white/green) - NEMA L7-15 plug (277V/15A locking)	Standard luminaire
10P520L	10' cord - 3 conductor (black/white/green) - NEMA L5-20 plug (120V/20A locking)	Standard luminaire
10P620L	10' cord - 3 conductor (black/white/green) - NEMA L6-20 plug (240V/20A locking)	Standard luminaire
10P720L	10' cord - 3 conductor (black/white/green) - NEMA L7-20 plug (277V/20A locking)	Standard luminaire
10P2420L	10' cord - 3 conductor (black/white/green) - NEMA L24-20 plug (347V/20A locking)	UNC luminaire
10P820L	10' cord - 3 conductor (black/white/green) - NEMA L8-20 plug (480V/20A locking)	UNC luminaire
15P515	15' cord - 3 conductor (black/white/green) - NEMA 5-15 plug (120V/15A)	Standard luminaire
15P615	15' cord - 3 conductor (black/white/green) - NEMA 6-15 plug (240V/15A)	Standard luminaire
15P715	15' cord - 3 conductor (black/white/green) - NEMA 7-15 plug (277V/15A)	Standard luminaire
15P520	15' cord - 3 conductor (black/white/green) - NEMA 5-20 plug (120V/20A)	Standard luminaire
15P620	15' cord - 3 conductor (black/white/green) - NEMA 6-20 plug (277V/20A)	Standard luminaire
15P515L	15' cord - 3 conductor (black/white/green) - NEMA L5-15 plug (120V/15A locking)	Standard luminaire
15P615L	15' cord - 3 conductor (black/white/green) - NEMA L6-15 plug (240V/15A locking)	Standard luminaire
15P715L	15' cord - 3 conductor (black/white/green) - NEMA L7-15 plug (277V/15A locking)	Standard luminaire
15P520L	15' cord - 3 conductor (black/white/green) - NEMA L5-20 plug (120V/20A locking)	Standard luminaire
15P620L	15' cord - 3 conductor (black/white/green) - NEMA L6-20 plug (240V/20A locking)	Standard luminaire
15P720L	15' cord - 3 conductor (black/white/green) - NEMA L7-20 plug (277V/20A locking)	Standard luminaire
15P2420L	15' cord - 3 conductor (black/white/green) - NEMA L24-20 plug (347V/20A locking)	UNC luminaire
15P820L	15' cord - 3 conductor (black/white/green) - NEMA L8-20 plug (480V/20A locking)	UNC luminaire

DIMENSIONAL DRAWINGS

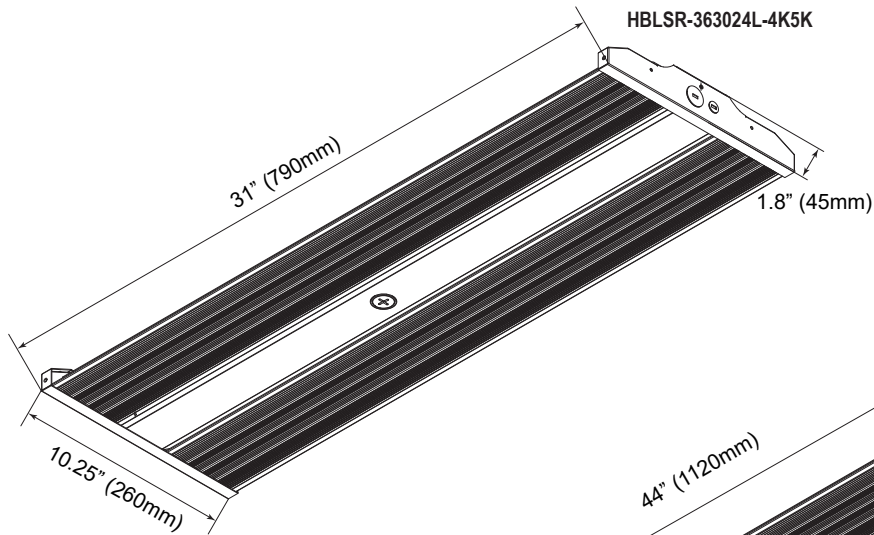
HBLSR-181512L-4K5K



HBLSR-241815L-4K5K



HBLSR-363024L-4K5K



HBLSR-604836L-4K5K

