

Project:	
Type:	
Catalog #:	

STANDARD



OPTIONAL

ILLUMINATION

- Long lasting, efficient ultra bright white LED lamp heads.
- One 1.1W white LED per lamphead.
- Unique all-inclusive lamp, reflector and lens assembly.
- Adjustable LED lamp heads provides optimal center-to-center spacing. Optional high-lumen heads are available for increased center-to-center spacing.
- Long life ultra-bright, energy efficient Red or Green LED EXIT sign illumination.

ELECTRICAL

- Dual 120/277 voltage.
- Unique bi-color LED indicator alerts occupant on battery condition (Green-normal, Red-check battery).
- Charge rate/power "ON" LED indicator light and push-to-test switch for mandated code compliance testing.
- 3.6V Long life, maintenance-free, rechargeable NiCd battery.
- Internal solid-state transfer switch automatically connects the internal battery to LED board and LED lamp heads for minimum 90-minute emergency illumination.
- Fully automatic solid-state, two rate charger initiates battery charging to recharge a discharged battery in 24 hours.

MOUNTING

- Mounting canopy included for top or end mount.
- Universal K/O pattern on back plate for wall mount.



HOUSING

- Specification-grade, low profile thin plastic design.
- Patent-pending, field selectable universal single/double face configuration.
- Injection-molded, engineering grade, 5VA flame retardant, high-impact resistant, thermoplastic in white or black finish.
- EZ snap-out chevron directional indicators.

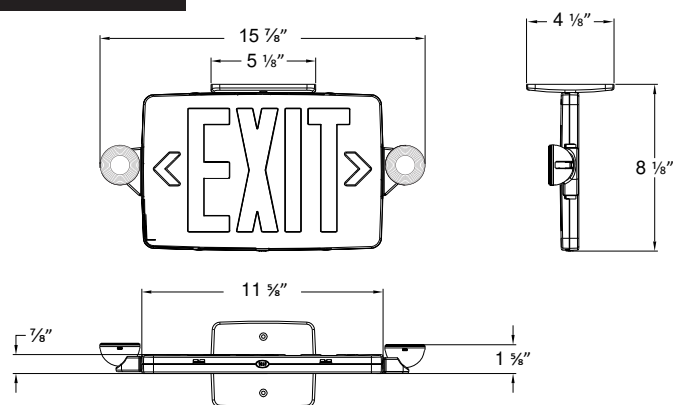
OPTIONS

- HL: Provides increased center-to-center spacing (2.0W per head).
- RC: Remote capacity of up to 2.0 watts.

WARRANTY / LISTING

- Five year warranty on all electronics and housing. Battery prorated for five years.
- Meets UL924, NFPA 101 Life Safety Code, NEC, OSHA, Local and State Codes.
- UL Listed for damp locations (0°C – 50°C).
- Certified to CEC under Title 20 regulations.

DIMENSIONS



ORDERING INFORMATION

Sample Part Number: **CTXTEU3RW**

NOTES:

¹ -HL and -RC options cannot be combined.

MODEL	No. of FACES	LETTER COLOR	HOUSING COLOR	OPTIONS ¹
CTXTEU	3 Universal Single/ Double Face	R Red G Green	W White B Black	HL High Lumen RC Remote Capacity

Project:	
Type:	
Catalog #:	

ELECTRICAL INFORMATION

CATALOG NUMBER	INPUT WATTS (W)		INPUT AMPS (A)	
	120V	277V	120V	277V
CTXTEU	1.2	1.2	0.092	0.092

REMOTE LAMP COMPATIBILITY

MODEL NUMBER	BATTERY	REMOTE CAPACITY	COMPATIBLE REMOTE HEAD FAMILY																	
			RHLED-MV	RH16LED	RH16		RH		RHR		SRH		SRHLED							
					6V	12V	6V	12V	6V	12V	6V	12V								
CTXTEU-RC	3.6V	2W	X																	