

PDL Paddle Lights



Project:	
Type:	
Catalog #:	

STANDARD



FEATURES

- Available in 5000k (cool white).
- Long-life LEDs provide 142,000 hours of operation with at least 70% of initial lumen output (L_{70}).
- Available in 4,000 nominal lumens (36 watts); 9,000 nominal lumens (75 watts); and 13,000 nominal lumens (115 watts).
- E39 (mogul) lamp base.
- Universal 120-277 AC voltage (50-60Hz) is standard.
- Power factor > 0.90.
- Total harmonic distortion < 20%.
- Color rendering index (R_a) > 70.
- Magnesium alloy housing with black, powder coat finish.
- Polycarbonate lens.

WARRANTY & LISTINGS

- cULus listed for damp locations.
- Complies with FCC Part 15, class B.
- Input transient protection = 2.0kV.
- Complies with RoHS (Restriction on Hazardous Substances) requirements.
- 1-year warranty of all electronics and housing.

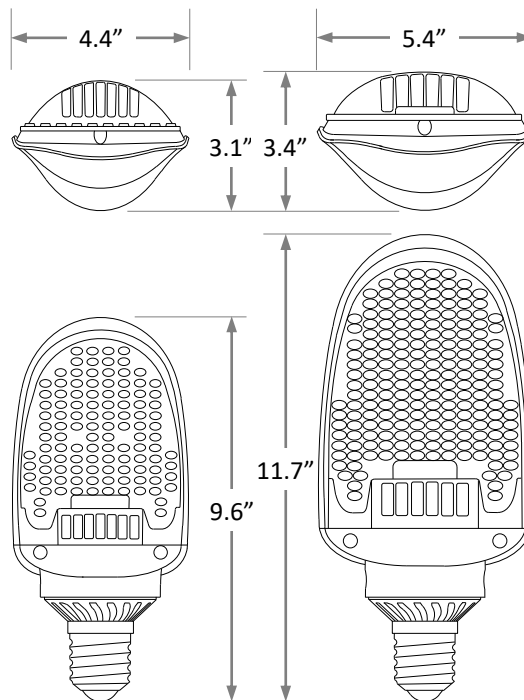


MINIMUM ENCLOSURE DIMENSIONS

The PDL series can be used in enclosed luminaires with the following minimum internal cavity sizes.

4L	9L	13L
8" x 8" x 15"	10" x 10" x 18"	10" x 10" x 18"

DIMENSIONS



Weight: 1.6 lbs. (PLD-4L), 2.8 lbs. (PDL-9L & PDL-13L)

ORDERING INFORMATION

Example: PDL-13L-5K

Series	Nominal Lumen Output		Color Temperature	
	PDL	4L	4,000 lumens	5K
	9L	9,000 lumens		
	13L	13,000 lumens		

ELECTRICAL DATA

Model	Color Temp.	CRI ¹	Luminaire Lumens	Luminaire Watts	Lumens Per Watt	Input Voltage	Input Current (A)			Power Factor	THD ²	L ₇₀ Hours ³
							120V	240V	277V			
PDL-4L-5K	5000k	> 70	4,414	36	123	120-277	0.30	0.15	0.13	> 90	< 20	142,000
PDL-9L-5K	5000k	> 70	9,228	75	123	120-277	0.63	0.31	0.27	> 90	< 20	142,000
PDL-13L-5K	5000k	> 70	13,709	113	121	120-277	0.94	0.47	0.41	> 90	< 20	142,000

¹ Color rendering index

² Total harmonic distortion

³ L₇₀ refers to the number of hours at which lumen output declines to 70% of the initial level. L₇₀ hours are IES TM-21-11 calculated hours.

PHOTOMETRIC DATA

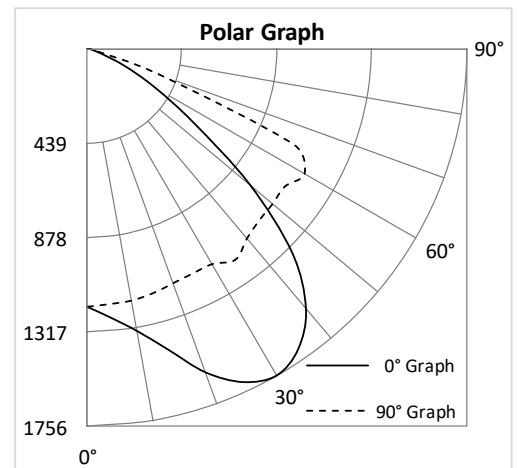
PDL-4L-4K

Luminaire Data

Description	Paddle Light, 4L 4K
Total Lumens	4,178
Input Wattage	36
Efficacy (lm/W)	116
Spacing Criterion (0-180°)	1.82
Spacing Criterion (90-270°)	1.54

Zonal Lumen Summary

Zone	Lumens	%Fixt
0-20°	466	11.1%
0-30°	1,060	25.4%
0-40°	1,868	44.7%
20-50°	2,301	55.1%
40-70°	2,229	53.4%
0-60°	3,565	85.3%
0-80°	4,170	99.8%
0-90°	4,178	100.0%
90-180°	0	0.0%
0-180°	4,178	100.0%



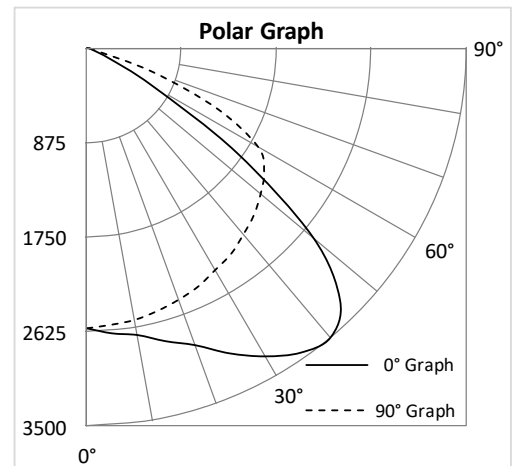
PDL-9L-4K

Luminaire Data

Description	Paddle Light, 9L 4K
Total Lumens	8,636
Input Wattage	75
Efficacy (lm/W)	116
Spacing Criterion (0-180°)	1.9
Spacing Criterion (90-270°)	1.4

Zonal Lumen Summary

Zone	Lumens	%Fixt
0-20°	987	11.4%
0-30°	2,189	25.4%
0-40°	3,804	44.0%
20-50°	4,683	54.2%
40-70°	4,656	53.9%
0-60°	7,391	85.6%
0-80°	8,621	99.8%
0-90°	8,636	100.0%
90-180°	0	0.0%
0-180°	8,636	100.0%



PHOTOMETRIC DATA

PDL-13L-4K

Luminaire Data

Description	Paddle Light, 13L 4K
Total Lumens	12,572
Input Wattage	111
Efficacy (lm/W)	113
Spacing Criterion (0-180°)	1.88
Spacing Criterion (90-270°)	1.4

Zonal Lumen Summary

Zone	Lumens	%Fixt
0-20°	1,379	11.0%
0-30°	3,078	24.5%
0-40°	5,370	42.7%
20-50°	6,642	52.8%
40-70°	6,810	54.2%
0-60°	10,494	83.5%
0-80°	12,540	99.7%
0-90°	12,572	100.0%
90-180°	0	0.0%
0-180°	12,572	100.0%

