

# LEDWPSN 40 — 120 Watt LED Wall Packs

Project:	
Type:	
Catalog #:	

## STANDARD



LEDWPSN is a series of rugged, durable LED wall packs, which are perfect for outdoor perimeter and area lighting. With a die cast aluminum housing and a polycarbonate lens, the LEDWPSN will stand up to many years of punishing environmental conditions. High-efficacy, long-life LEDs provide both energy and maintenance cost savings compared to traditional, HID wall packs.

## FEATURES

- Available in 3000k (warm white), 4000k (neutral white) and 5000k (cool white) color temperatures.
- Long-life LEDs provide 216,000 hours of operation with at least 70% of initial lumen output (L<sub>70</sub>).
- LEDWP40SN provides 4,734 lumens & 115 lumens per watt (LPW) at 3000k; 4,751 lumens & 116 LPW at 4000k; or 4,817 lumens & 117 LPW at 5000k.\*
- LEDWP60SN provides 6,983 lumens & 114 LPW at 3000k; or 7,052 lumens & 116 LPW at both 4000k and 5000k.\*
- LEDWP80SN provides 9,768 lumens & 122 LPW at 3000k; or 9,885 lumens & 124 LPW at both 4000k and 5000k.\*
- LEDWP100SN provides 11,967 lumens & 117 LPW at 3000k; 12,159 lumens & 119 LPW at 4000k; or 12,350 lumens & 121 LPW at 5000k.\*
- LEDWP120SN provides 13,213 lumens & 119 LPW at 3000k; 13,589 lumens & 122 LPW at 4000k; or 13,966 lumens & 126 LPW at 5000k.\*
- Uniform illumination with no visible LED pixilation.
- Universal 120-277 AC voltage (50-60Hz) is standard.
- Power factor > 0.90.
- Total harmonic distortion < 20%.
- Color rendering index > 80.
- Die cast aluminum housing with durable, dark bronze, powder coat paint.
- Polycarbonate lens with seamless, silicone gasket to prevent leaks. Polycarbonate has F1 rating to avoid discoloration.
- Internal bubble level facilitates level installation.
- Easy installation in new construction or retrofit.

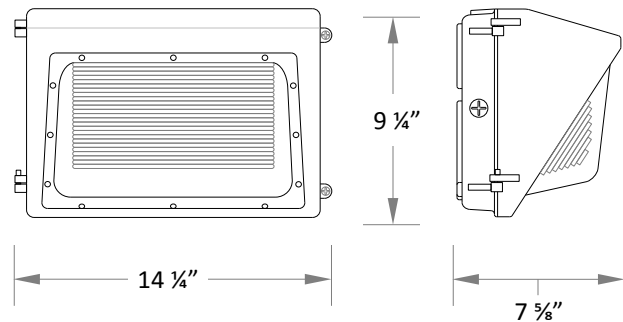
\* Contact factory for other color temperatures and lumen packages.  
 \*\* L<sub>70</sub> hours are IES TM-21-11 calculated hours.



## WARRANTY & LISTINGS

- cULus listed for wet locations (-20°C to 45°C / -4°F to 113°F).
- IP65 rated.
- DLC standard approved.
- Complies with FCC Part 15 class B.
- Complies with EN61000-4-5, surge immunity (40W: 1.2kV; all others: 4kV).
- 5-year warranty on all electronics and housing.

## DIMENSIONS



	40W	60W	80W	100W	120W
Weight (lbs.)	7.2	7.8	7.8	10.4	10.4

## ORDERING INFORMATION

Model	Color Temperature	Luminaire Lumens	Luminaire Watts	Lumens Per Watt
LEDWP40SN	3K = 3000k	4,734	41	115
	4K = 4000k	4,751	41	116
	5K = 5000k	4,817	41	117
LEDWP60SN	3K = 3000k	6,983	61	114
	4K = 4000k	7,052	61	116
	5K = 5000k	7,052	61	116
LEDWP80SN	3K = 3000k	9,768	80	122
	4K = 4000k	9,885	80	124
	5K = 5000k	9,885	80	124
LEDWP100SN	3K = 3000k	11,967	102	117
	4K = 4000k	12,159	102	119
	5K = 5000k	12,350	102	121
LEDWP120SN	3K = 3000k	13,213	111	119
	4K = 4000k	13,589	111	122
	5K = 5000k	13,966	111	126

# LEDWPSN 40 — 120 Watt LED Wall Packs

## ELECTRICAL

Model	Color Temperature	CRI <sup>1</sup>	Luminaire Lumens	Luminaire Watts	Lumens Per Watt	Input Voltage <sup>2</sup>	Input Current (A)			Power Factor	THD <sup>3</sup>	L <sub>70</sub> Hours <sup>4</sup>
							120V	240V	277V			
LEDWP40SN	3000k	> 80	4,734	41	115	120-277	0.34	0.17	0.15	> 90%	< 20%	216,000
	4000k	> 80	4,751	41	116	120-277	0.34	0.17	0.15	> 90%	< 20%	216,000
	5000k	> 80	4,817	41	117	120-277	0.34	0.17	0.15	> 90%	< 20%	216,000
LEDWP60SN	3000k	> 80	6,983	61	114	120-277	0.51	0.25	0.22	> 90%	< 20%	216,000
	4000k	> 80	7,052	61	116	120-277	0.51	0.25	0.22	> 90%	< 20%	216,000
	5000k	> 80	7,052	61	116	120-277	0.51	0.25	0.22	> 90%	< 20%	216,000
LEDWP80SN	3000k	> 80	9,768	80	122	120-277	0.67	0.33	0.29	> 90%	< 20%	216,000
	4000k	> 80	9,885	80	124	120-277	0.67	0.33	0.29	> 90%	< 20%	216,000
	5000k	> 80	9,885	80	124	120-277	0.67	0.33	0.29	> 90%	< 20%	216,000
LEDWP100SN	3000k	> 80	11,967	102	117	120-277	0.85	0.43	0.37	> 90%	< 20%	216,000
	4000k	> 80	12,159	102	119	120-277	0.85	0.43	0.37	> 90%	< 20%	216,000
	5000k	> 80	12,350	102	121	120-277	0.85	0.43	0.37	> 90%	< 20%	216,000
LEDWP120SN	3000k	> 80	13,213	111	119	120-277	0.93	0.46	0.40	> 90%	< 20%	216,000
	4000k	> 80	13,589	111	122	120-277	0.93	0.46	0.40	> 90%	< 20%	216,000
	5000k	> 80	13,966	111	126	120-277	0.93	0.46	0.40	> 90%	< 20%	216,000

<sup>1</sup> Color rendering index.

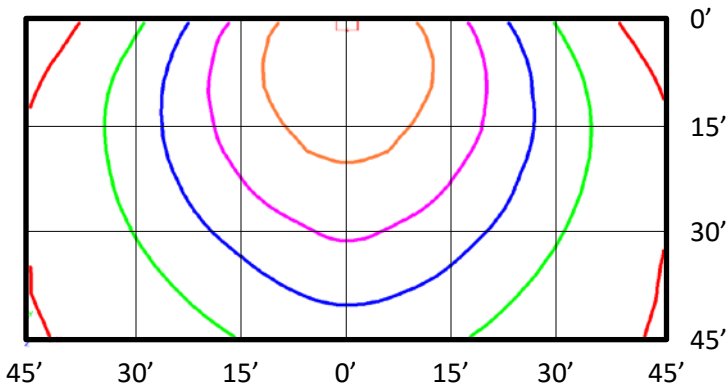
<sup>2</sup> All 50-60Hz.

<sup>3</sup> Total harmonic distortion.

<sup>4</sup> L<sub>70</sub> refers to the number of hours at which lumen output declines to 70% of the initial level. L<sub>70</sub> hours are IES TM-21-11 calculated hours.

## PHOTOMETRIC DATA

### LEDWP120SN-5K (13,966 Lumens)



#### Notes:

- Isofootcandle plots depict initial footcandles at grade.
- Gridlines represent units of mounting height of 15 feet.

#### Foot Candles



### BUG Rating: B1-U3-G3

Zone	Lumens	%
FL - Front - Low (0-30)	1,511	11%
FM - Front - Medium (30-60)	3,889	28%
FH - Front - High (60-80)	3,088	22%
FVH - Front - Very High (80-90)	1,284	9%
<b>Total Forward Light</b>	<b>9,772</b>	<b>70%</b>
BL - Back - Low (0-30)	764	5%
BM - Back - Medium (30-60)	766	5%
BH - Back - High (60-80)	196	1%
BVH - Back - Very High (80-90)	36	0%
<b>Total Back Light</b>	<b>1,762</b>	<b>13%</b>
UL - Up Light - Low (90-100)	1,024	7%
UH - Up Light - High (100-180)	1,408	10%
<b>Total Up Light</b>	<b>2,432</b>	<b>17%</b>
<b>Total Lumens</b>	<b>13,966</b>	<b>100%</b>